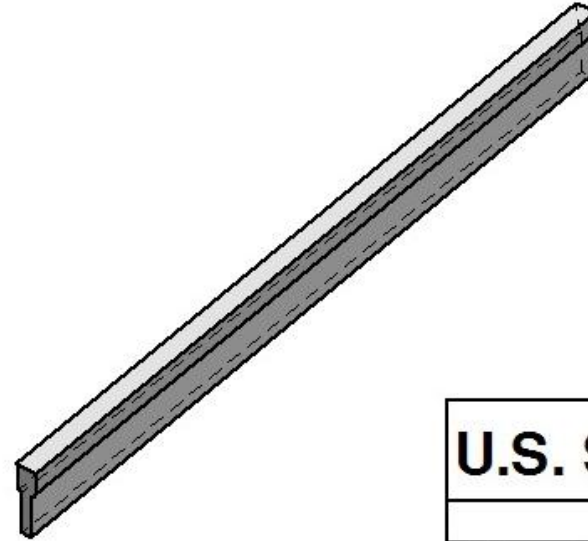


MATERIAL: 304SS
HARDNESS: RC 38 +/-3
LENGTH: 12 FOOT STRAIGHT LENGTH
TWIST: MAXIMUM OF 5 DEGREES IN ANY 48 INCH LENGTH

NOTE: MATERIAL MUST BE WIPED CLEAN OF ALL GREASE AND CONTAMINATES



U.S. SCREEN CO.

SIZE	NAME	DATE	QTY
A	JAMIE D	03/11/08	100

FILE NAME: uss - BI56 WRE.dft

SCALE: WEIGHT: SHEET 1 OF 1